

Features

- ★ Small size
- ★ Low power consumption
- ★ Large range of equipment Use
- ★ Source of clock signal
- ★ Through hole package
- ★ Precise and stability

Applications

- ★ Watch and clock
- ★ Microprocessor system
- ★ Instrumentation
- ★ Remote control
- ★ Consumer electronics
- ★ Audio/video



Specifications (Characteristics)

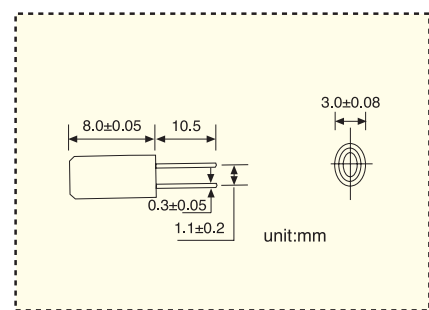
Item	Symbol	DT 38	DT26
Normal Frequency	f	32.768KHz	
Frequency Tolerance at 25°C	$\Delta f/f$	±20 ppm ★ ±50 ppm ±100 ppm	±20 ppm ★ ±50 ppm ±100 ppm
Frequency Vs Temp.		See Frequency Characteristics	
Load Capacitance	CL	8pF 12.5pF ★	
Operating Temp. Range	Topr	-10°C ~ +60°C	
Storage Temp. Range	Tstg	-20°C ~ +70°C	
Resistance of Series Resonance	Rs	30KΩ Max	40KΩ Max
Q-Factor	Q	50,000 min	40,000 min
Drive Level	PWR	1μW	
Shunt Capacitance	C0	1.3pF ± 0.3 pF Max.	
Capacitance Ratio		650 max	
Insulation Resistance	IR	500MΩ at DC100 V	
Parabolic Curvature Constant		-0.042ppm/C ² Max	-0.042ppm/C ² Max
Packing		Bulk 100 pcs per polybags, 500 pcs per inner box, 10,000 pcs per export carton	

★ Commonly used

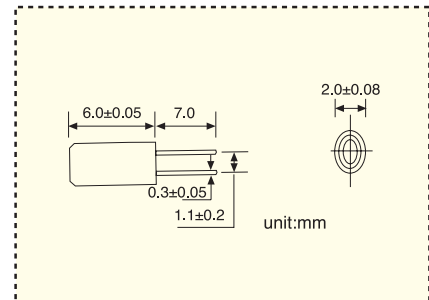
Part Number and Ordering

Part Number Code	Holder Type + Frequency + Tolerance + CL
Ordering Code	Same as Above
Example	DT38-32.768K-20-12.5P

DT38 (Unit: mm)



DT26 (Unit: mm)



Frequency Characteristics

